



WATER DISPENSERS

Reliable Water Solutions

ELKAY

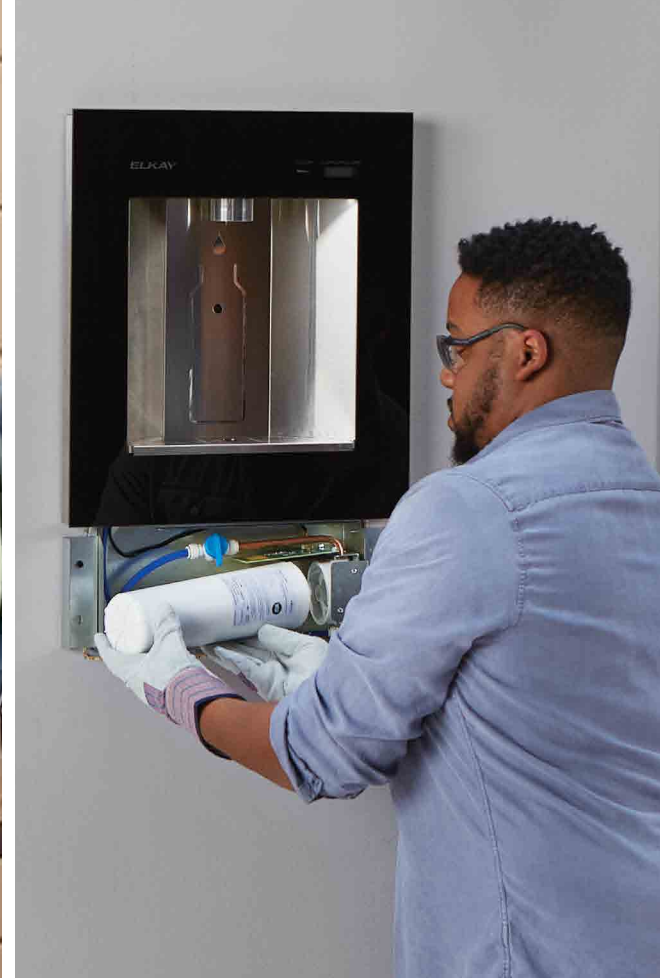
COSMETAL[®]
Drinking water solutions

INTRIX[®]

Pakai[®]



sani
euro



ELKAY

Drinking Water Solutions

ABOUT ELKAY

Elkay has been making innovative products and delivering exceptional customer care for almost a century. Elkay expanded its commercial offerings more than four decades ago, and today delivers faucets, foodservice fixtures, water coolers, drinking fountains and award-winning ezH2O® bottle filling stations, in addition to world-class stainless steel and quartz sinks.



FEATURE & BENEFITS

Here are just a few of the many benefits our products offer :



HYGIENIC FEATURES

Hands-free water supply options, electric sensor activation, foot pedals or knee operation panel.



SUSTAINABLE DESIGN

Eco-friendly drinking solutions are made from recycled and recyclable materials.



FILTERED SOLUTIONS

Filtered bottle filling stations and fountains provide cleaner, healthier drinking water.



ADA COMPLIANT

Compliant drinking solutions make water accessible.

*ADA compliant when properly installed.



GREEN OPERATION

Select drinking solutions reduce energy usage and plastic waste to keep hotels and resorts green.



VANDAL RESISTANT

Temper-resistant features withstand heavy use and defend against abuse.

THE RIGHT CHOICE FOR YOUR DRINKING WATER NEEDS

For more than a century, Elkay has been dedicated to engineering award-winning products that are built to last. As an industry leader, we stand by our customers, committed to fulfilling your drinking water needs. We'll be with you every step of the way in selecting and maintaining your Elkay products.

That's the Elkay advantage!



EZH20 BOTTLE FILLING STATION

ezH20 Bottle Filling Station units have great features to provide convenient, sustainable and healthy hydration.

SENSOR ACTIVATION

Touchless, sensor activation (bottle filler) designed for easy use; easy-to-operate push-bar activation (bubbler).

ECOLOGICAL

Green Ticker™ informs user of number of 20 oz. plastic water bottles saved from waste.

LOCATION

Rated for indoor use.



LZ8WSS2K
EZ8WSS2K

ANTIMICROBIAL PROTECTION

Antimicrobial protection on key plastic components to inhibit the growth of mold and mildew.

EFFECTIVE FLOW

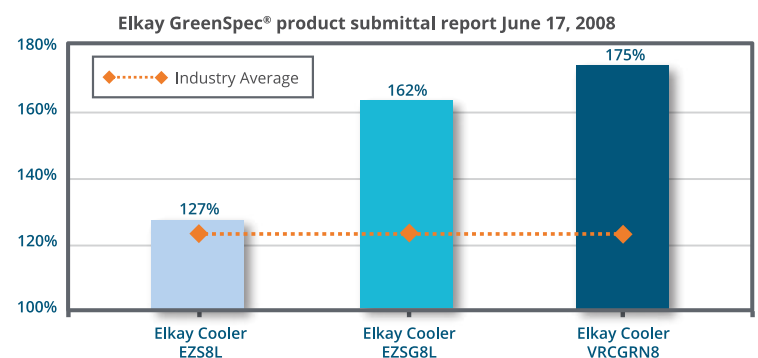
Real Drain System eliminates standing water.

SAFETY

Flexi-Guard® bubbler provides a flexible antimicrobial mouth guard to protect against injury and microorganisms.

ENERGY EFFICIENCY COMPARISON CHART

Based on the maximum amount of energy (standard minimum energy factor) that a cooler uses to provide a specified gallons of chilled drinking water per hour as specified in CAN/CSA C-815.



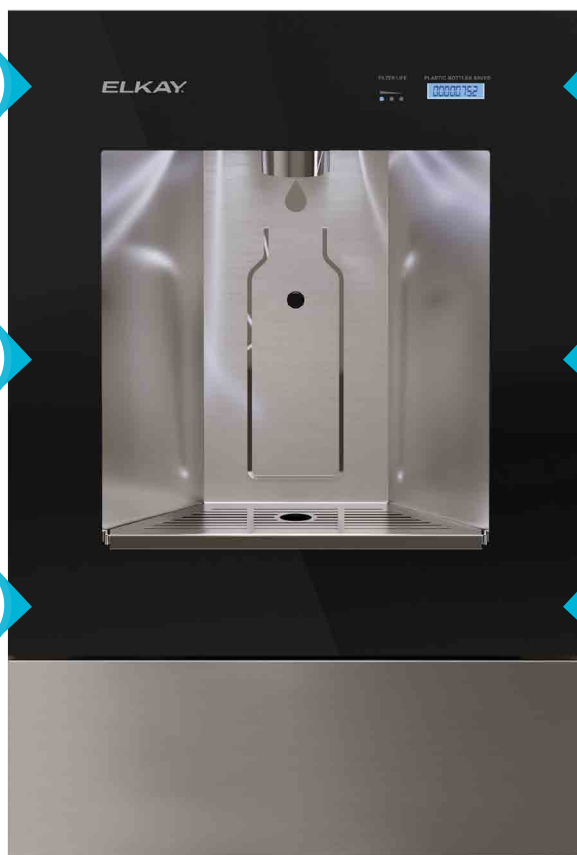
CUSTOM, HANDS-FREE WATER DELIVERY

When your needs for water delivery go beyond the norm, Elkay's got it covered. In addition to our standard hands-free portfolio, we can construct no-touch, sanitary, sensor-activated bottle filling stations to meet your specific needs.



EZH20 LIV PRO

In-Wall Commercial Filtered Water Dispenser.



BUILT-IN DESIGN

Install a different water dispenser in convenient areas of your home, inside and outside the kitchen. Designed for new construction remodels.



BOTTLES SAVED

Backlit LED Green Ticker counts the number of disposable single-use plastic bottles served without the plastic bottle waste.

SENSOR ACTIVATED

Hands-free filling with automatic timed shut off to prevent accidental spills and messes.



CHICK STYLING

Glass and brushed stainless steel design looks great in any room; interactive light brightens when dispensing water.

FILTERED WATER

NSF-Certified filter reduces lead and other harmful contaminants. Filter status lights indicate when filter needs changing so you always know you are serving filtered water.



EASY INSTALLATION

Fits within the width and depth of two standard wall studs, near water and electrical. It includes a drip tray with optional drain connection; can connect into existing water line.

LBWD2C00BKC

AMBIENT WATER



LBWD00KC (220V)

18"W x 28"H x 5-1/4"D
(1-1/4" proud of wall)
Non-refrigerated
Rated Watts: 25

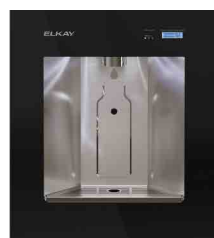


LBWD00WHC (220V)

18"W x 28"H x 5-1/4"D
(1-1/4" proud of wall)
Non-refrigerated
Rated Watts: 25

CHILLED WATER

Chilling capacity of 1.5 GPH of 50°F drinking water



LBWD06BKK (220V)

18"W x 20-1/2"H x 5-1/4"D
(1-1/4" proud of wall)
Chilling Option: 1.5 GPH
Rated Watts: 165

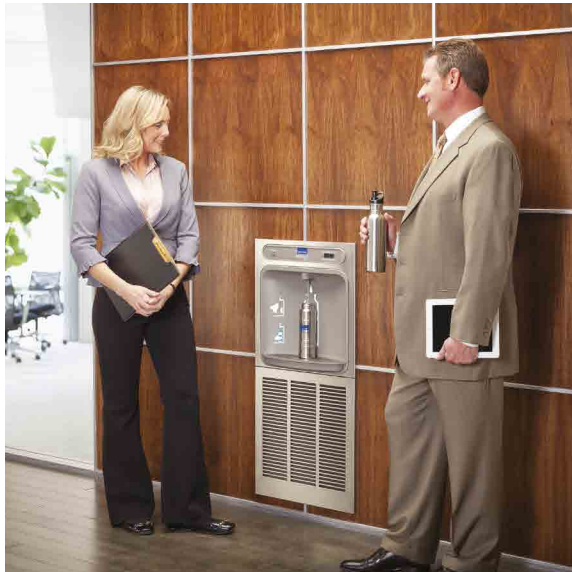


LBWD06WHK (220V)

18"W x 20-1/2"H x 5-1/4"D
(1-1/4" proud of wall)
Chilling Option: 1.5 GPH
Rated Watts: 165

EZH20 IN-WALL BOTTLE FILLING STATION

The ezH2O can be installed alone or along with architectural fountains. Flush with wall for a seamless look makes the models ideal for office buildings or indoor recreational facilities. Product available to pair along with architectural units or with a remote chiller. Available in filtered/non-filtered, refrigerated or non-refrigerated.



LZWSM82K



LZWS-LRPBM28K

EZH20 SURFACE MOUNT WATER DISPENSER

Can be used in locations with limited wall depth or in conjunction with a fountain or remote chiller. Available with electric display and now available in a mechanically activated version with battery-powered green counter and visual filter monitor. Can be used in conjunction with a fountain or a remote chiller.



LZWSSMJO



EZWSSMJO



OUTDOOR BOTTLE FILLING STATION

Perfect for parks, golf courses, or pool areas. The outdoor bottle filling stations provide hydration on the go. Made of durable cold rolled steel and immersed in an E-Coat for the ultimate corrosion protection. Flexible configurability to meet any application with freeze resistant models available.

Available in 12 color options with textured finishes.



LK4430BF1



Black



Blue



Evergreen



Gray



LK4400DBEVG



LK4420BF1UGRY



LK4420BF1LBLU

AVADO BEVERAGE FAUCET

The Avado filtered beverage faucet provides cold, filtered water, while saving time and money by eliminating the need for disposable plastic water bottles. The long-life filter reduces lead and other contaminants for peace of mind and great-tasting water.

3 Stunning Colors



Chrome (CR)



Lustrous Steel (LS)



Matte Black (MB)

GOOSENECK SPOUT

High arc design makes it easy to fill larger items such as pots, coffee carafes and pet dishes with crisp cold water.



INTEGRATED FILTRATION

Healthier hydration is within reach with a filtered beverage faucet in the kitchen, bar area or mudroom.



SPACE-SAVING FILTER INSTALLATION

Filter mounts to sink cabinet wall to keep sink area free of clutter and attractive.



LKAV71FLS

ALL-IN-ONE SYSTEM

Nothing extra to buy – the filter and everything you need for installation is included.



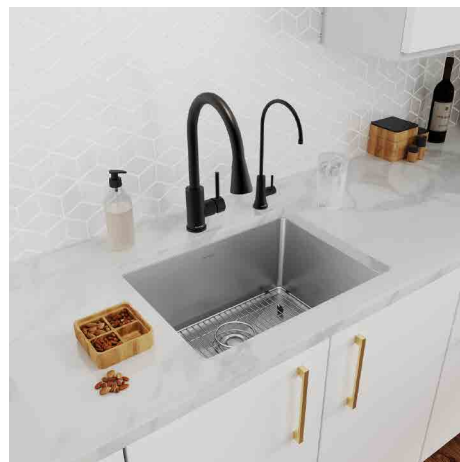
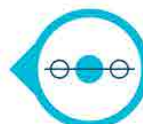
COLD WATER ONLY

Beverage faucet hooks into cold water line. Elkay has an array of stylish kitchen faucets to coordinate with the beverage faucet.



ONE FAUCET HOLE

Beverage faucet is designed to be installed using a secondary faucet hole next to your main faucet.



Enjoy Convenient Filtration

Filtered water for drinking, cooking, watering plants and more.



Drink to Good Health

Enjoy crisp, filtered water with reduced lead and other harmful contaminants.



Save Money and Storage

Say goodbye to expensive cases of water that take up storage space.



Contribute to a Cleaner World

Eliminate the use of disposable plastic water bottles at home.

WATERSENTRY PLUS FILTERS

Helps to reduce contaminants and lead for CLEANER, GREAT-TASTING drinking water.

FEATURES & BENEFITS

- NSF and WQA certified to the following NSF International standards: NSF/ANSI 42 for chlorine, taste and odor, and particulate Class I reduction and NSF/ANSI 53 for lead reduction.
- Reduces odors and discoloration from incoming water.
- 3,000-gallon capacity equates to more than 22,000 water bottles filled.
- Quick disconnect, 1/4 turn makes installation and replacement easy.
- Automatic inlet shut-off valve closes when filter is removed to minimize spills.
- Filter media is self-contained, providing a more sanitary replacement process.
- For use with Elkay ezH2O bottle filling stations.

HOW IT WORKS

Radial Flow-Thru Design

provides more surface area for untreated water.

Spun Polypropylene Prefilter Mesh

prevents large, coarse sediment and particles from entering and clogging filter media.

High-Grade Filter

is made with activated carbon and patented ATS lead-reduction media.



CERTIFICATIONS

ELKAY is committed to offering high-quality plumbing products. In addition to continually testing our products to high internal standards, many of our products are tested and certified to one more of the following independent certifications.



TYPES OF ELKAY FILTERS

With more than a century of trusted experience in water treatment solutions, Elkay provides customers with safe, professionally-treated drinking water aimed to suit every possible household need. Clean water is sustainably available through the use of Elkay's products with innovative water purification technology, high efficiency and outstanding product quality.



WATERSENTRY® PLUS FILTERS

3,000 Gallon capacity.

Quick, 1/4 turn for easy installation.

ANSI/NSF Standard 42 and 53.



WATERSENTRY® PLUS FILTERS

6,000 Gallon capacity.

Quick, 1/4 turn for easy installation.

ANSI/NSF Standard 42 and 53.



BACTERIA WATER FILTRATION

35,000 Gallon capacity.

Reduces aerobic mesophilic bacteria.

Can be used with external installation.

ACCESSORIES



- For use with our water coolers, bottle filling stations and drinking fountains.
- Low Flow.
- Mouth guards are manufactured with silver ion antimicrobial agent helping to provide clean, stain- and odor-free surfaces
- Antimicrobial mouth guard protects against microorganisms.
- Reduces water waste.
- Able to be keyed into position to prevent rotation.
- Complements style of the cooler.



- Push-button valve bubbler designed so that water never comes in contact with lead-containing materials.
- Built-in adjustable water volume control regulates flow from 20 PSI to 105 PSI.
- Heavy chrome-plated body with a 3/8" (10 mm) NPT connection.
- Requires one 1-1/2" (38 mm) or 1-1/4" (32 mm) faucet hole.
- Optional cover plate (72000408) sold separately.
- Made in USA.

HI CLASS PREMIUM



High-tech Control Panel

Black tempered glass front with anti-fingerprint stainless steel insert, two-colour display size 128x64 and touchscreen control panel.



Adjustable Dispensing

Dispensing zone with adjustable height: from minimum 22 cm – suitable for withdrawing water with a cup or glass – to maximum 27 cm for use with bottles. Hot water dispensing is protected by a safety device.



Temperature

Ultra-precise electronic thermostats for guaranteeing accurate adjustment and reading of the hot/cold water temperature.



Operating Parameters Programming (IT/EN/DE/FR)

The operating parameters must be set by qualified personnel and protected by a password.



Real-time Parameter Control

The water dispenser allows for viewing in real time the following operating parameters:

- Temperature of the hot/cold water
- Capacity and duration of the filtration system and relative UV lamp
- CO2 cylinder level
- Date of the next sanitisation intervention.



Self-diagnosis System

The display promptly signals any anomalies or malfunctions, such as lack of mains water, clogged filter, etc., so as to prevent seizures.



Energy Saving

The energy saving function can be inserted manually when required, or programmed on a weekly basis.



Filtration

An extensive range of filters is available to improve the water's flavour and aroma, for combating limescale and for preventing bacteria from entering the water mains.



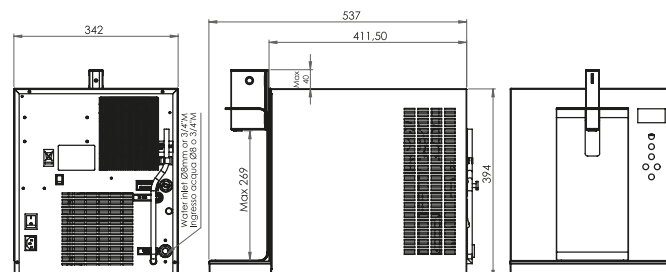
Drip Tray with Drain

The drip tray, with a capacity of max. 400 ml, allows for channelling excess water to a drain or, alternatively, into an appropriate optional tank fitted with an overflow sensor.



Matching Cabinet

Optional matching cabinet with integrated cup holder for 100 cups. Waste kit included.



Gamma Range

					Assorbimento Rated Input
HI CLASS TOP 45 IB AC	■	■			230 W
HI CLASS TOP 45 IB ACWG	■	■		■	400 W
HI CLASS TOP 45 IB ACHWG	■	■	■	■	1600 W

HI CLASS PREMIUM

Technical Features / Specification	
Dimension	34cm (W) x 54cm (D) x 40cm (H)
Cooling Performance	45 lt/h; 9 lt in continuously
Dispensed Cold Water Temperature	3-10°C with 20°C incoming water and 25°C room temperature
Heating Performance	13 lt/h; 1,2 lt in continuously
Dispensed Hot Water Temperature	98°C
Dispensing	40sec./lt for natural water, 35sec./lt for sparkling (with 3 bar of incoming water pressure)
Condensation	Ventilated blowing
Thermostat	Electronic
Compressor	1/10 HP
Ice Bank	4lt capacity, 2kg of ice
Carbonator Pump	Rotary vane, 100 lt/h - 9 bar (for WG models)
Carbonator (Cold Carbonation)	1 lt capacity (for WG models)
Hot Tank	1,5 lt capacity, rated input 1200 W
Inlets / Outlets	Water inlet Ø 8 mm, CO2 inlet Ø 6 mm (for WG models)
Safety	Inlet safety valve
Water and Co2 Pressure Reducers	Not included
Filters	Not included, to be externally mounted in-line

Filtration / Purifier		Cod.
F-SMALL+	Customized chlorine filter/purifier with bypass head.	099207
F-CAL	Customized chlorine purifier filter, bacteriostatic, descaler with shut off head.	099109
F-MICRO	Customized anti-bacterial micro-filter, with shut off head.	099112
F-SOFT	Ion exchange resin filter purifier for hardness reduction with shut off head.	099200
FC	Multilayer + Carbon Block filters.	090052
F	4C Chlorine filter/purifier with head and shut off valve.	099033
F-UV	F + UV 12W sterilizer.	090034

H2OMY TOP



Unlimited Water

Smaller than a crate of 6 water bottles, it dispenses up to 15 litres per hour of cold water - between 3° and 10° C - still or sparkling, and 8 litres per hour of hot water, from your tap, straight into the glass.



Cutting Edge Technology

Ice-bank cooling and cold carbonation technology offers optimum performance within a compact space.



Simplicity and Flexibility

This simple and compact product can be further customized to satisfy individual requirements.



Matching Cabinet

Optional matching cabinet with integrated cup holder for 100 cups.



Counter-top Solution

H2OMY TOP, compact in terms of size and shape, optimises the efficiency of home or office water management while bringing a touch of style and technology to the area in which it is installed.



Hygiene

The dispensing area is protected from environmental pollution while the controls are situated at a safe distance from the dispensing point.



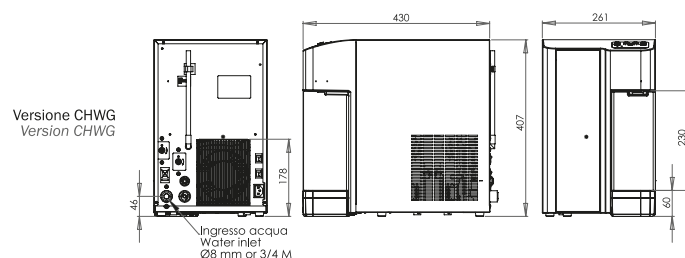
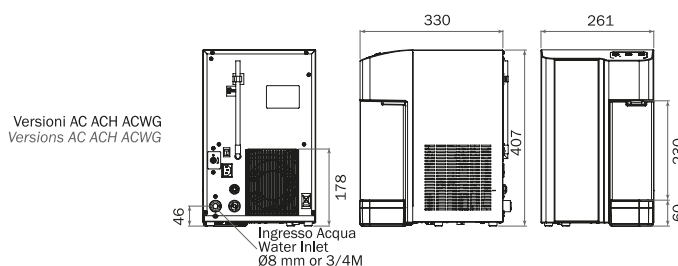
Safety

The safety valve prevents loss of water due to potential failures occurring inside the machine.



Functionality

The drip tray with 400 ml capacity can be removed to facilitate filling of all types of disposable and reusable cups, tall bottles or jugs.



Gamma Range

					Assorbimento Rated input
H2OMY TOP 15 IB AC	■	■			190 W
H2OMY TOP 15 IB ACH	■	■	■		1390 W
H2OMY TOP 15 IB ACWG	■	■		■	260 W
H2OMY TOP 15 IB CHWG		■	■	■	1460 W

H2OMY TOP

Technical Features / Specification	
Dimension	See drawings
Cooling Performance	15 lt/h; 3 lt continuously
Dispensed Cold Water Temperature	3-10°C with 20°C incoming water and 25°C room temperature
Heating Performance	13 lt/h; 0,8 lt continuously
Dispensed Hot Water Temperature	95°C
Dispensing	40 sec./lt for natural water; 35 sec./lt for sparkling (with 3 bar of incoming water pressure)
Condensation	Ventilated blowing
Thermostat	Mechanical
Compressor	1/12 HP
Ice Bank	2lt capacity, 2kg of ice
Carbonator Pump	Membrane pump 80 lt/h - 8 bar (for WG models)
Carbonator (Cold Carbonation)	0,5 lt capacity (for WG models)
Hot Tank	1 lt capacity, rated input 1200 W
Inlets / Outlets	Water inlet Ø 8 mm, CO2 inlet Ø 6 mm (for WG models)
Safety	Inlet safety valve
Water and Co2 Pressure Reducers	Not included
Filters	Not included, to be externally mounted in-line

Filtration / Purifier		Cod.
F-SMALL+	Customized chlorine filter/purifier with bypass head.	099207
F-CAL	Customized chlorine purifier filter, bacteriostatic, descaler with shut off head.	099109
F-MICRO	Customized anti-bacterial micro-filter, with shut off head.	099112
F-SOFT	Ion exchange resin filter purifier for hardness reduction with shut off head.	099200
FC	Multilayer + Carbon Block filters.	090052

PRO-STREAM IN 55 OT



Tap

Chrome-plated, thermally isolated body and touch control panel equipped with safety device for safe dispensing of extra-hot water.



Installation

An appropriate template facilitates installation operations. The tap can be mounted near the sink or on any supporting top together with the drip tray and drain.



Adjustable Dispensing

Equipped with electronic temperature control and anti-boiling function, Pro-stream instantly dispenses water at 98°C and fills up to 215 cups/hour with extra-hot water. In addition, by adding the appropriate options, it can dispense 15 litres/hour of cold and/or sparkling water.



Control Panel

The status of the lights on the control panel signals the boiler's operating phases: ready, heating and off.



Modular Construction

If the cold and/or sparkling water function is present, a specific unit for producing cold water is added to complete the boiler.



Technology

Hot water open tank. Any steam generated is channelled through the drain conduit. Boiling point pre-settable according to altitude.



Energy Saving

The energy saving function activates automatically after two hours of non-use, by lowering the temperature of the water inside the tank down to 65°C; after a further one hour of non-use, the boiler switches off automatically.



Filtration

Optional water softening filter for protecting the system against limescale build-up.



Limescale Removal

Designed for rapidly running a complete wash cycle inside the machine, thanks to the relevant function that fully empties the tank.

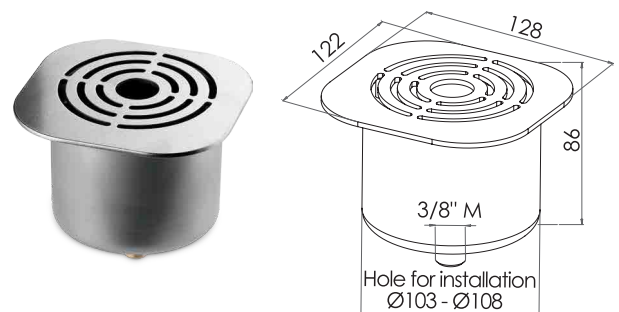


Gamma Range

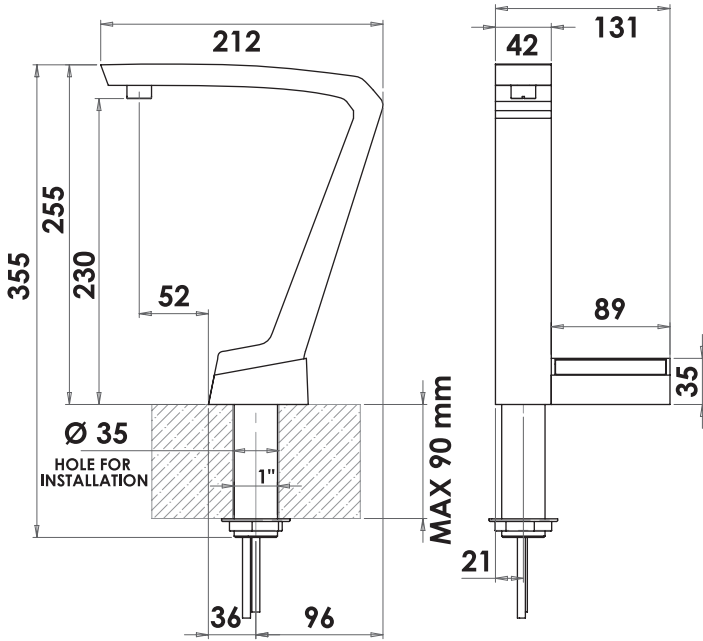
				Assorbimento Rated Input
PRO-STREAM HOT	■			2600 W
PRO-STREAM HOT&COLD	■			2600 W
PRO-STREAM HOT, COLD AND SPARKLING	■	■	■	155 W
		■		2600 W
			■	210 W

Drip trays

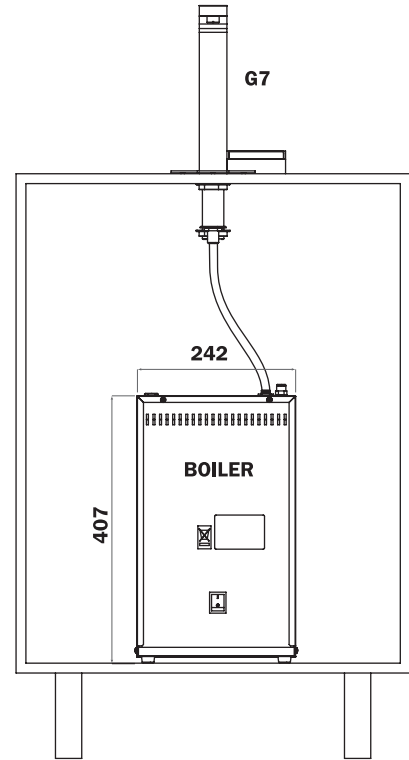
VR-G7



Size of G7 Faucet



Pro-Stream Hot

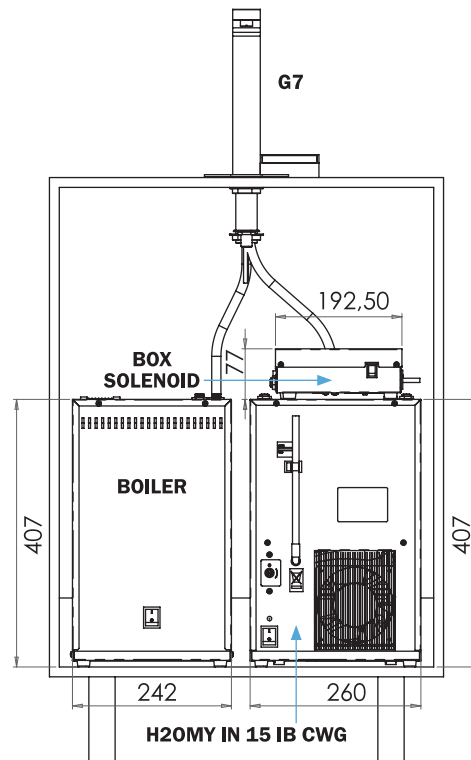
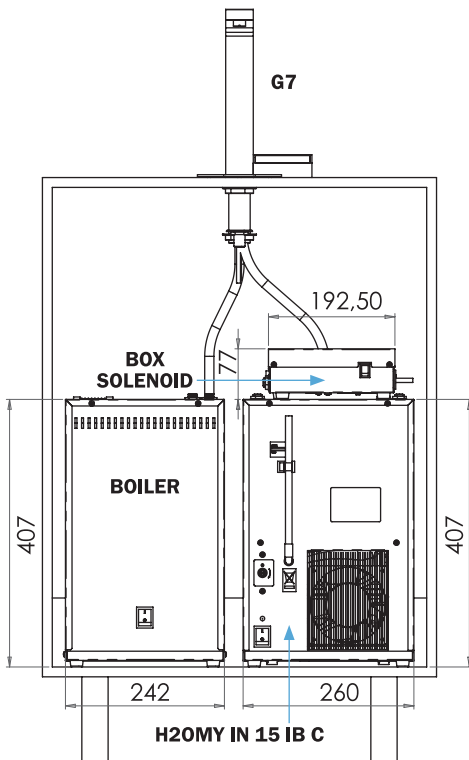


Pro-Stream Hot & Cold

G7 + Boiler + H20MY IN 15 IB C + Box Solenoid C

Pro-Stream hot, Cold & Sparkling

G7 + Boiler + H20MY IN 15 IB CWG + Box Solenoid CWG



PRO-STREAM IN 55 OT

TECHNICAL FEATURES			
	BOILER	H2OMY IN C	H2OMY IN CWG
Dimensioni <i>Dimensions</i>	24,2 L x 31,5 P x 40,7 H cm 24,2 W x 31,5 D x 40,7 H cm	26 L x 23,5 P x 40,7 H cm 26 W x 23,5 D x 40,7 H cm	26 L x 30 P x 40,7 H cm 26 W x 30 D x 40,7 H cm
Assorbimento <i>Rated Input</i>	2600 W 2600 W	155 W 155 W	210 W 210 W
Prestazione <i>Performance</i>	55 lt/h 55 lt/h	15 lt/h; 7 e 3 lt in continuo 15 lt/h; 7 and 3 lt continuously	
Erogazione <i>Dispensing</i>	30 sec. / lt di acqua calda 30 sec. / lt for hot water	40 sec. / lt liscia (con 3 bar di pressione in ingresso) 40 sec. / lt for natural water (with 3 bar of incoming water pressure)	40 sec. / lt liscia; 35 sec. / lt gassata (con 3 bar di pressione in ingresso) 40 sec. / lt for natural water; 35 sec. / lt for sparkling (with 3 bar of incoming water pressure)
Condensazione <i>Condensation</i>		Ventilata Ventilated	Ventilata Ventilated
Termostato <i>Thermostat</i>	Elettronico, preimpostato a 98°C Electronic, preset at 98°C	Meccanico Mechanical	Meccanico Mechanical
Compressore <i>Compressor</i>		1/12 HP 1/12 HP	1/12 HP 1/12 HP
Elemento riscaldante <i>Heating element</i>	2500 W 2500 W		
Banco di ghiaccio <i>Ice bank</i>		Capacità 2 lt, 1 Kg di ghiaccio 2 lt capacity, 1 Kg of ice	
Serbatoio caldo <i>Hot tank</i>	7 lt 7 lt		
Pompa di carbonazione <i>Carbonator pump</i>			A membrane 80 lt/h - 8 bar (per le versioni WG) Membrane Pump, 80 lt/h - 8 bar (for WG models)
Carbonatore (gasatura a freddo) <i>Carbonator (cold carbonation)</i>			Capacità 0,5 lt (per le versioni WG) 0,5 lt capacity (for WG models)
Ingressi/uscite <i>Inlets/outlets</i>	Ingresso acqua Ø 8 mm, uscite acqua Ø 6 mm Water inlet Ø 8 mm, water outlets Ø 6 mm		Ingresso acqua Ø 8 mm, uscite acqua Ø 6 mm, ingresso CO2 Ø 6 mm (per le versioni WG) Water inlet Ø 8 mm, water outlets Ø 6 mm, CO2 inlet Ø 6 mm (for WG models)
Riduttori di pressione per acqua e Co2 <i>Water and Co2 pressure reducers</i>	Non inclusi Not included		
Sicurezza <i>Safety</i>	Elettrovalvola in ingresso Inlet safety valve		
Filtro <i>Filter</i>	Non incluso, da montare esternamente in linea Not included, to be externally mounted in-line		
Filtro suggerito <i>Suggested filter</i>	F-SOFT F-SOFT	F-SMALL+, F-CAL, F-MICRO, FC F-SMALL+, F-CAL, F-MICRO, FC	

FILTRATION		Cod.
F-SMALL+	Filtro personalizzato dechloratore urificatore con testata bypass Customized chlorine filter/purifier with bypass head	099207
F-CAL	Filtro personalizzato dechloratore urificatore batteriostatico anti-calcare, con testata shut off Customized chlorine purifier filter, bacteriostatic, descaler with shut off head	099109
F-MICRO	Micro-filtro personalizzato antibatterico, con testata shut off Customized anti-bacterial micro-filter, with shut off head	099112
F-SOFT	Filtro purificatore con resina a scambio ionico per la riduzione della durezza con testata shut off Ion exchange resin filter purifier for hardness reduction with shut off head	099200
FC	Filtro multistrato + carboni attivi Multilayer + Carbon Block filters	099034

INTRIX®

INTRIX ONE HOTEL

Malaysia's 1st Drinkable Multi-Usage Tap

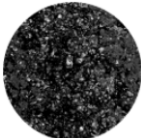
World Class All-in-One Water Purification System

Effectively removes 99.99% microbes down to 0.01 micron (µm)



Sediment Filter

Removes soil, rust, sediment and bigger particles.



Activated Carbon Block

Removes cysts, unpleasant odours, chlorine, chloramine, trihalomethane, VOCs and heavy metals.



Nanofiltration Membrane

Removes bacteria, algae and some viruses while preserving natural minerals.



Eco-friendly

INTRIX filters are designed to be 95% recyclable with more than 80% wastage reduction.



- Stylish & Space-Saving
- Low-Maintenance
- EcoSmart Technology
- Highly Secured & Heatproof Tap



National Sanitation Foundation (42/53)



Korean Halal Certified

Water Technology vs INTRIX One Hotel

	Boiled Water	Micro-Filtration Water	Alkaline Water	Reverse Osmosis Water	INTRIX One Hotel
Contains Minerals	☑	☑	☑		☑
Eliminates Heavy Metals				☑	☑
Mild Alkaline			☑		☑
Eliminates Bacteria	☑	☑		☑	☑
Eliminates Viruses	☑			☑	☑
Eliminates Chemical Toxins	☑			☑	☑

INTRIX®

INTRIX HORECA FILTER

Assured Great Water for Better Food Service



KEY FEATURES :

- **200% extra filtration lifespan** (80,000 Litres or 1 year, whichever comes first).
- **High flow rate** (6.4 Litres / mins or 12.8 Litres / mins).
- 2-stage water purification system (0.5 micron) - Sediment + Carbon
- NSF 42 & Halal certified.
- Improved taste.



Removal of microbes down to 0.01 micron(μm)



Ultra-high capacity filter 80,000L



Removes bacteria, algae and some viruses while preserving natural minerals

PAKAI ENDEO

Heavy Duty Water Dispenser

Pakai®

- A free-standing water dispenser designed for **heavy duty usage**.
- Comes with 3 water options:
Cold, ambient and **hot** to meet all kinds of beverage/drinking needs.
- **Ultra-high capacity filter** for high traffic usage.

PRODUCT SPECIFICATION

- Power Hot/Cold: 2000W/150W
- Tank Material: Stainless Steel 304
- Body Material: Stainless Steel 201
- Water Selection: Hot/Ambient/Chilled

Tank Capacity	<ul style="list-style-type: none">• Hot: 10L• Ambient: 20L• Chilled: 3L
Dimension (cm)	<ul style="list-style-type: none">• Length: 48.5 (56cm with water tray)• Depth: 42.5• Height: 132
Output	<ul style="list-style-type: none">• Hot at 85°C-90°C: 30L/hr (approx. 240 cups/hr)• Cold at 4°C-12°C: 10L/hr (approx. 60 cups/hr)



THE BEST SOLUTION
FOR CLEAN WATER

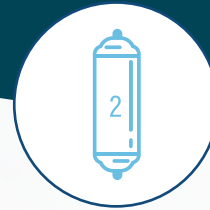
Quality Assurance of Assure X10:



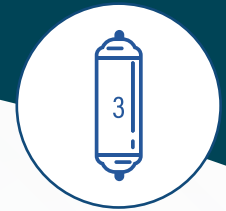
ENDEO X10 FILTER



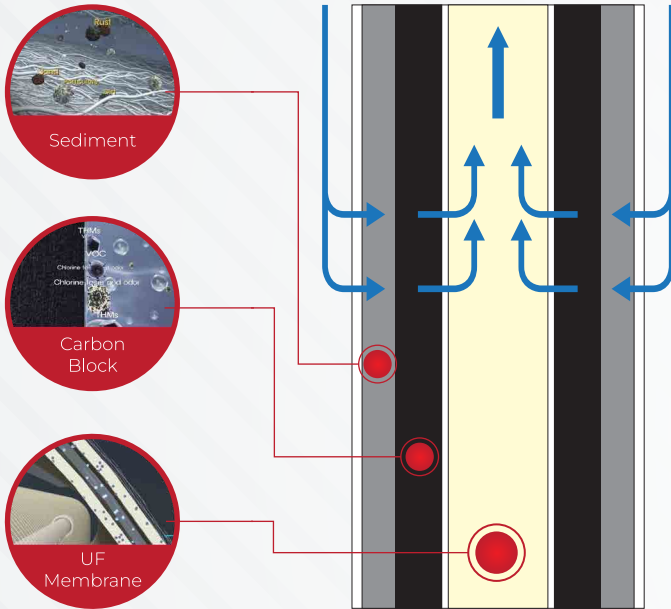
Pleated Pre-Filter



Ultrafiltration Membrane Pre-Filter



UltraHi Capacity Active Carbon Block with Scale Inhibitor



Sediment Filter

Remove dust, sediment, and bigger particles.

Activated Carbon Block

Remove cysts, unpleasant odours, chlorine, chloramine, trihalomethane, VOCs and heavy metals.

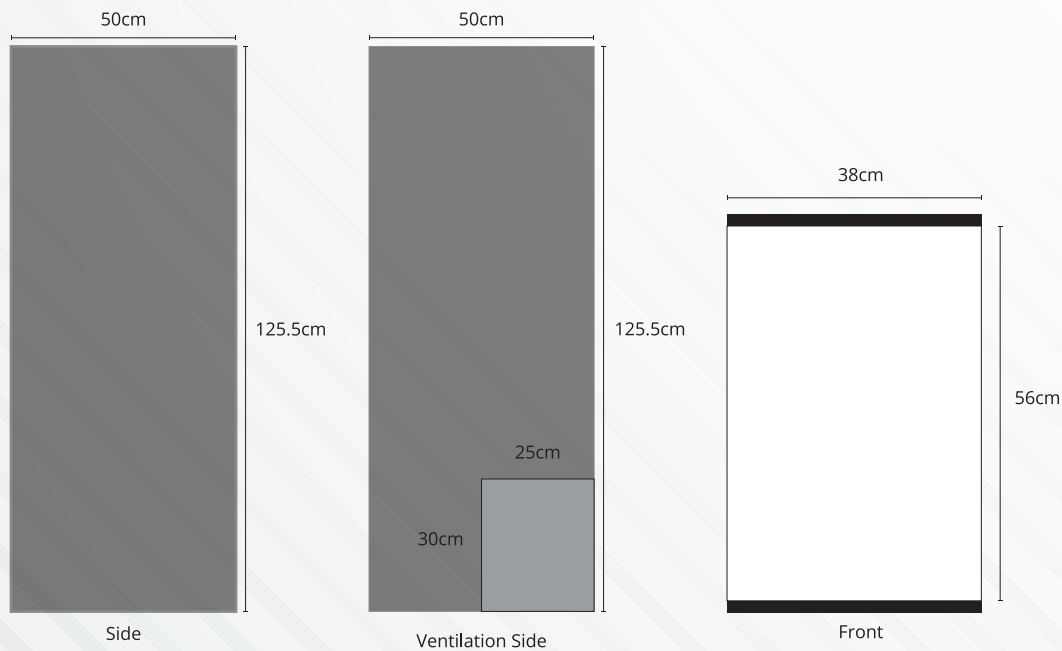
Ultrafiltration Membrane

Removes 99.99% of bacteria, algae and some viruses while preserving natural minerals.



MADE IN KOREA

FULL DIMENSION



Sanieuro Sdn. Bhd. (200401023227)

B-LG-1, Connaught Avenue,
Jalan 9, Taman Bukit Cheras,
56000 Kuala Lumpur, Malaysia

Contact us for more info :

+603 9108 2199

www.sanieuro.com



PAKAI INDUSTRIES BERHAD (196901000011)

B-LG-1, Connaught Avenue, Jalan 9,
Taman Bukit Cheras, 56000
Kuala Lumpur, Malaysia.

Email : sales@pakai.com
Website : www.pakai.com
Cheras HQ : +603 9107 4950
Semenyih : +603 8725 5057

SANIEURO THAI CO., LTD.

343/25-26 Thanon Klong Lam-Jiag,
Nuanchan, Buengkum, Bangkok,
10230, Thailand.

Phone : +662 105 3401
Fax : +662 105 3400
Email : sales.th@sanieuro.com
Web : www.sanieuro.com/th

SANIEURO MYANMAR CO., LTD.

No. 12, Room 7, Parami Road,
Chaw Dwin Gone, Ma Yan Gone,
Township, 11061 Yangon, Myanmar.

Phone : +959 450 33 5111
Fax : +09 267 48 1770
Email : sales.mm@sanieuro.com
Web : www.sanieuro.com/mm

SANIEURO UK LTD.

9E Insignia Point, 2 East Park Walk,
E20 1JB London, United Kingdom.

Phone : +44 7497761226
Email : sales@sanieuro.com

CONG TY TNHH SANIEURO VIETNAM

BPA Apartment - 02.10 Botanica Building
Premier No. 108, Hong Ha, Ward 2,
Tan Binh District, Ho Chi Minh City, Vietnam.

Phone : +84 90 9722086
Email : sales@sanieuro.com

NOVATEC SANITARYWARE LANKA (PVT) LTD.

No. 9, Chilaw Road, Negombo, Sri Lanka.

Phone : +94 31 4936843 / 31 4936847
Fax : +94 31 2223535
Email : sales.lk@sanieuro.com
Web : www.sanieuro.com/lk

IDEAL KITCHEN AND BATHROOM PTE LTD.

545 Balestier Road Singapore 329866
Singapore

Phone : +65 8282 8228
Email : sales@sanieuro.com
Web : www.ideal.com.sg

Email: sales@sanieuro.com | Website: www.sanieuro.com | Tel: +603-9107 4950